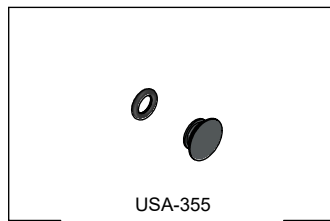
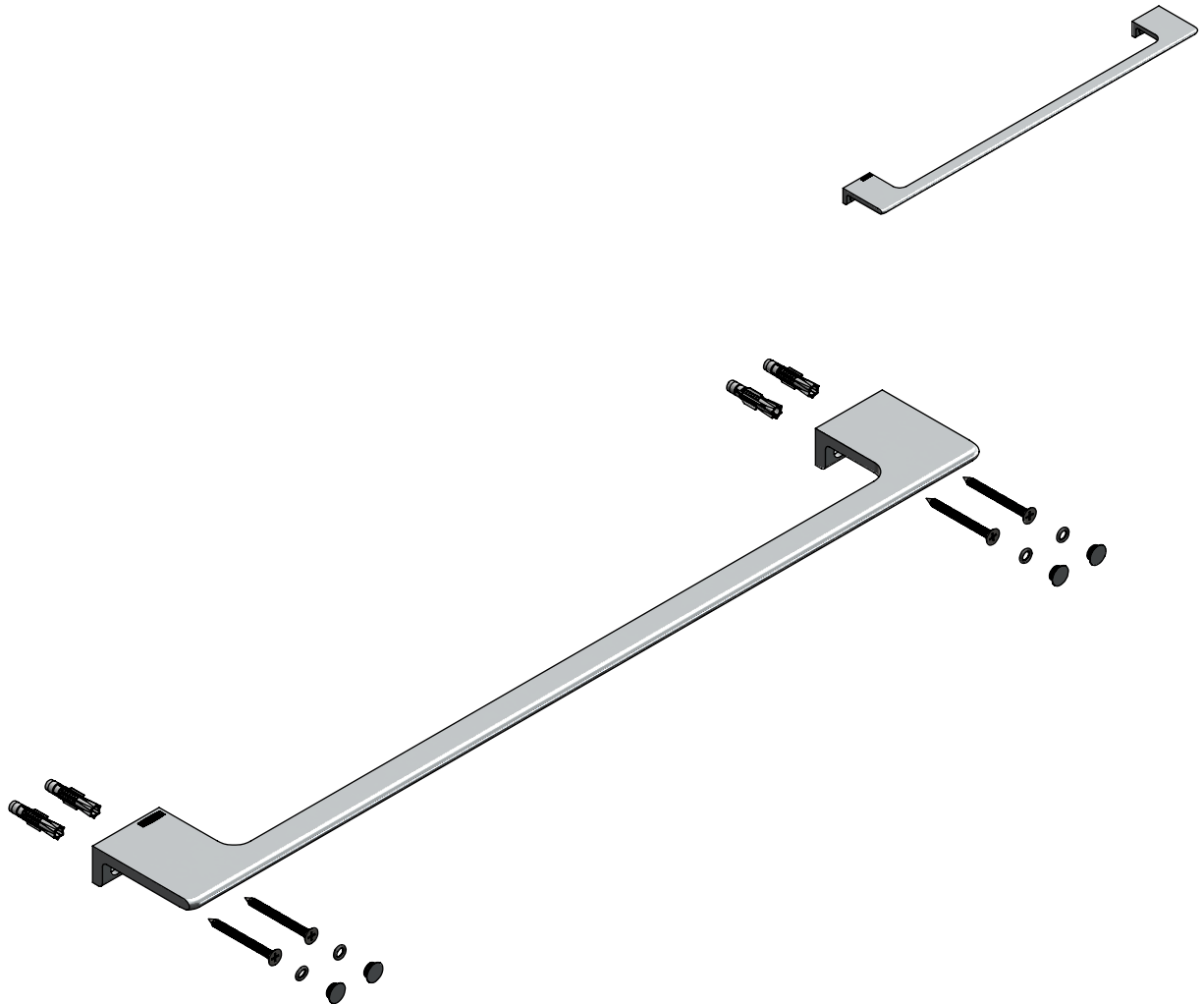


**Spare Parts Sheet**

Kit of spare parts for preventive maintenance.



USA-355  
Button Kit



USA-353  
Fixing Kit