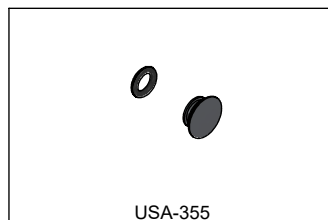
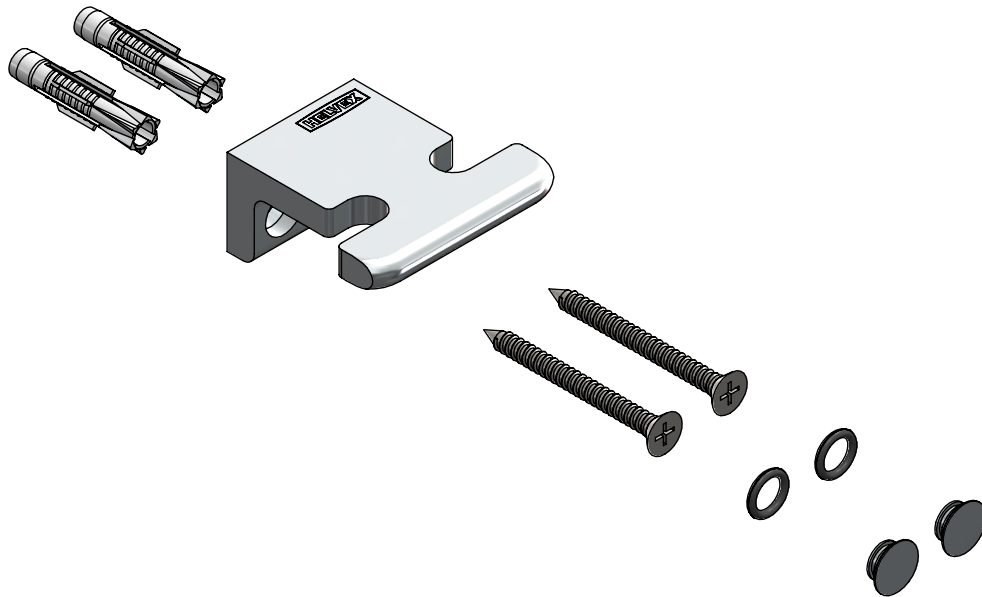
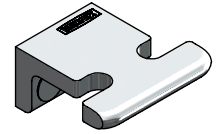


Spare Parts Sheet

Kit of spare parts for preventive maintenance.



USA-355
Button Kit



USA-353
Fixing Kit