

**PRODUCT FEATURES:**

Shower head with 3 jet functions to create different shower sensations.
Brass ball joint to define the best position.
Easy to install.
Prevents hard water deposits, easy to clean in seconds, with the touch of a finger.
This product can be used to help achieve water efficiency goals as well as gaining USGBC LEED points.

MATERIALS:

Solid brass, for durability and reliability.
Finishes with ultra high resistance to corrosion and tarnishing.

ACCESSORIES:

Includes shower arm and flange.

INSTALLATION:

Wall mount.
½" - 14 NPT connection.

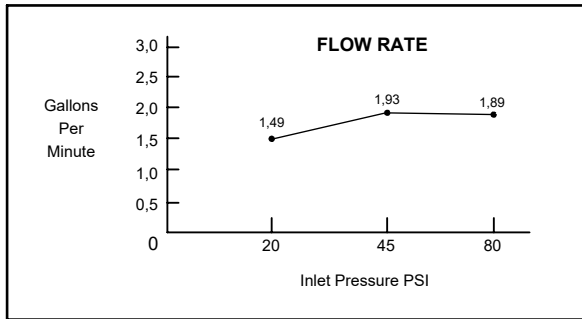
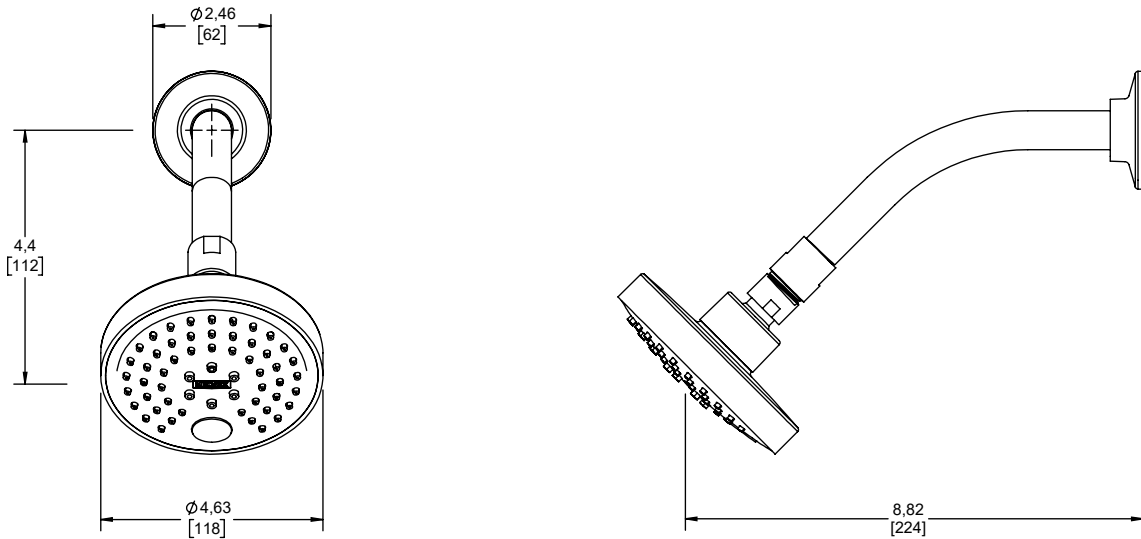
CODES AND STANDARDS:

ASME A112.18.1 / CSA B125.1-2018
Plumbing Supply Fittings
NSF/ANSI 61/ANSI-2020, Drinking Water System Components - Health Effects
NSF/ANSI 372-2016, Drinking Water Systems Components - Lead Content
EPA WaterSense Specifications for Showerheads

FINISHINGS:

BB PVD Brushed Brass
BW Bright White
MB Matte Black
PC Polished Chrome
PCO PVD Polished Copper
PG PVD Polished Gold
PGH PVD Polished Graphite
PN PVD Polished Nickel
RG PVD Rose Gold
SC PVD Satin Copper
SGH PVD Satin Graphite
SN PVD Satin Nickel
SRG PVD Satin Rose Gold

Estimated Dimensions Dim. inch. [mm]



WORKING PRESSURE:

Pmin. = 20 PSI
 Pmax. = 80 PSI

MAXIMUM FLOW RATE:

1,93 GPM

NOTES:

Install the product according to the Installation Guide.