

**PRODUCT FEATURES:**

Two-piece toilet.  
Rectified bowl base for a perfect floor coupling.  
Polish chrome top push button actuator.  
Elongated bowl for more comfort.  
Exposed trapway.  
Fully glazed trapway, preventing clogs and bacteria.  
Large water mirror for optimal cleaning.  
Single-discharge flush, ensuring leak free and optimal operation.  
TURVEX system technology to generate a perfect waste removal.  
High Efficiency Toilet, low 1,28 GPF consumption.  
This product can be used to help achieve water efficiency goals as well as gaining USGBC LEED points.

**MATERIALS:**

High-gloss vitreous china.  
Durable and scratch-resistant finishing.

**VALVES:**

Certified fill and flush valves.  
Silent fill valve.  
Valves reinforced and calibrated.  
Flush valve with hermetic seal.  
Ø3" flush valve.

**ACCESORIES:**

Floor fixing kit.  
Tank to bowl fixing kit.

**INSTALLATION:**

Connection to the supply line Ø15/16" - 14 NS-1  
Outlet connection drain pipe Ø4" with wax ring or sanitary flange.

**OPERATION:**

Press the button once to flush fully 1,28 GPF.

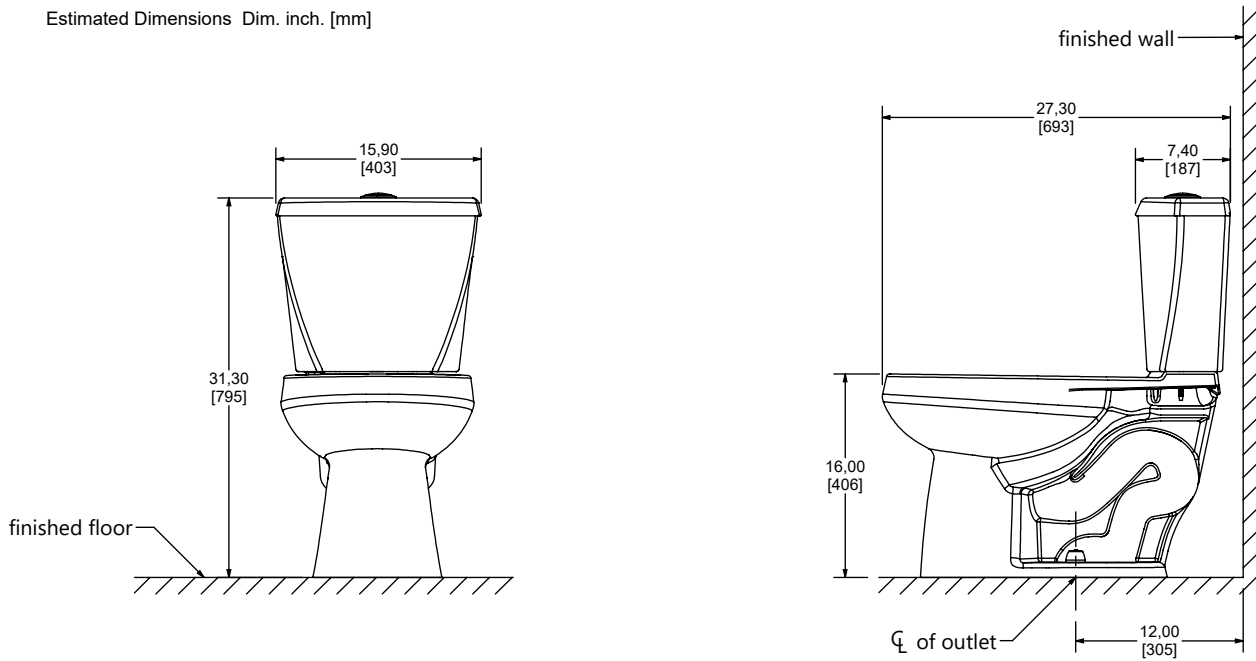
**CODES AND STANDARDS:**

ASME A112.19.2 / CSA B45.1-2018 -  
Ceramic Plumbing Fixtures  
CEC / DOE - ENERGY POLICY ACT 1992  
ADA Compliant fixture complies with ICC/ANSI A117.1  
EPA WaterSense Tank-Type High Efficiency Toilet

**FINISHINGS:**

W White

Estimated Dimensions Dim. inch. [mm]



**WORKING PRESSURE:**

Pmin.= 20 PSI  
Pmax.= 80 PSI

**MAXIMUM CONSUMPTION:**  
1,28 GPF

**NOTES:**

Install the product according to the Installation Guide.