**PRODUCT FEATURES:**

One-piece toilet.
Polish chrome top push button actuator.
Elongated bowl for more comfort.
Concealed trapway.
Fully glazed trapway, preventing clogs and bacteria.
Large water mirror for optimal cleaning.
Single- discharge flush, ensuring leak free and optimal operation.
TURVEX system technology to generate a perfect waste removal.
High Efficiency Toilet, low 1,28 GPF consumption.
This product can be used to help achieve water efficiency goals as well as gaining USGBC LEED points.
Slow closing toilet seat and cover with concealed seat ring.

MATERIALS:

High-gloss vitreous china.
Durable and scratch-resistant finishing.

VALVES:

Certified fill and flush valves.
Silent fill valve.
Valves reinforced and calibrated.
Flush valve with hermetic seal.
Ø3" flush valve.

ACCESORIES:

Slow closing toilet seat.
Floor fixing kit.
Wax ring.

INSTALLATION:

Connection to the supply line Ø15/16" - 14 NS-1
Outlet connection drain pipe Ø4" with wax ring or sanitary flange.

OPERATION:

Press the button once to flush fully 1,28 GPF.

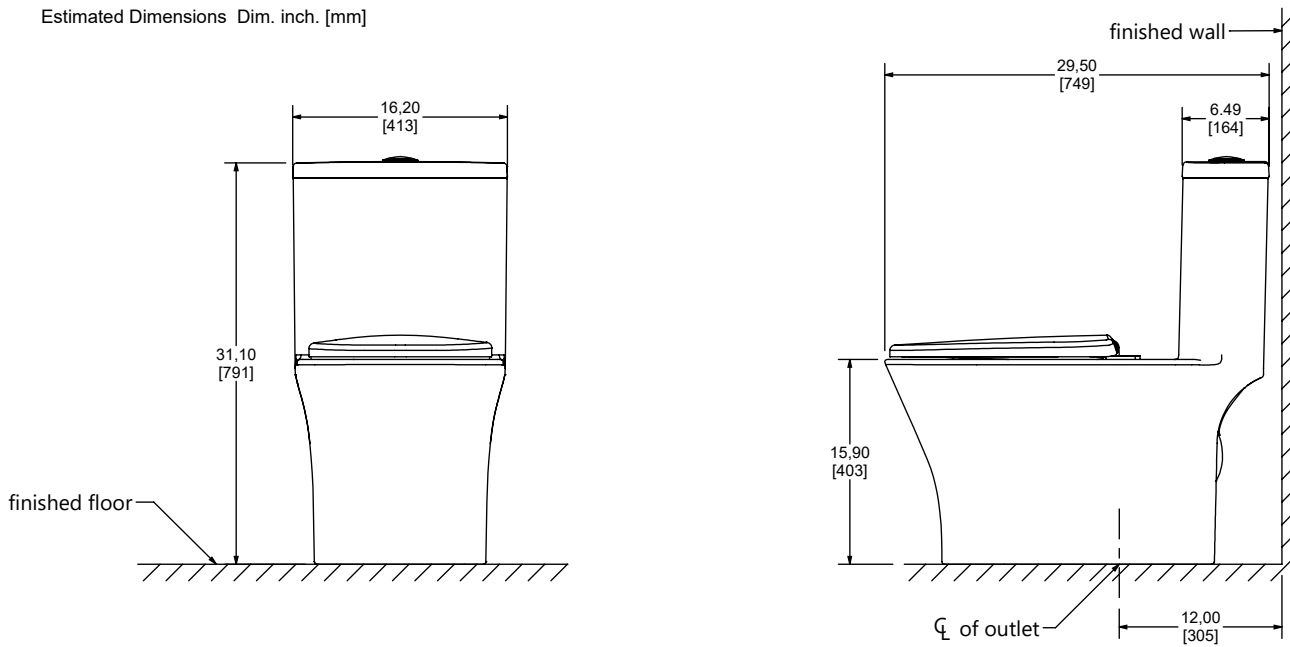
CODES AND STANDARDS:

ASME A112.19.2 / CSA B45.1-2018 -
Ceramic Plumbing Fixtures
CEC / DOE - ENERGY POLICY ACT 1992
ADA Compliant fixture complies with ICC/ANSI A117.1
EPA WaterSense Tank-Type High Efficiency Toilet

FINISHINGS:

W White

Estimated Dimensions Dim. inch. [mm]



WORKING PRESSURE:

Pmin.= 20 PSI
 Pmax.= 80 PSI

MAXIMUM CONSUMPTION:

1,28 GPF

NOTES:

Install the product according to the Installation Guide.